



ATI Opticonn<sup>®</sup> Outdoor Splice Closure are designed to meet the demand for a cost-effective ruggedized field distribution of fiber optic connections. The design emphasizes ease of installation in the field environment and offers a variety of splitter options to maximize scalability.



## Application

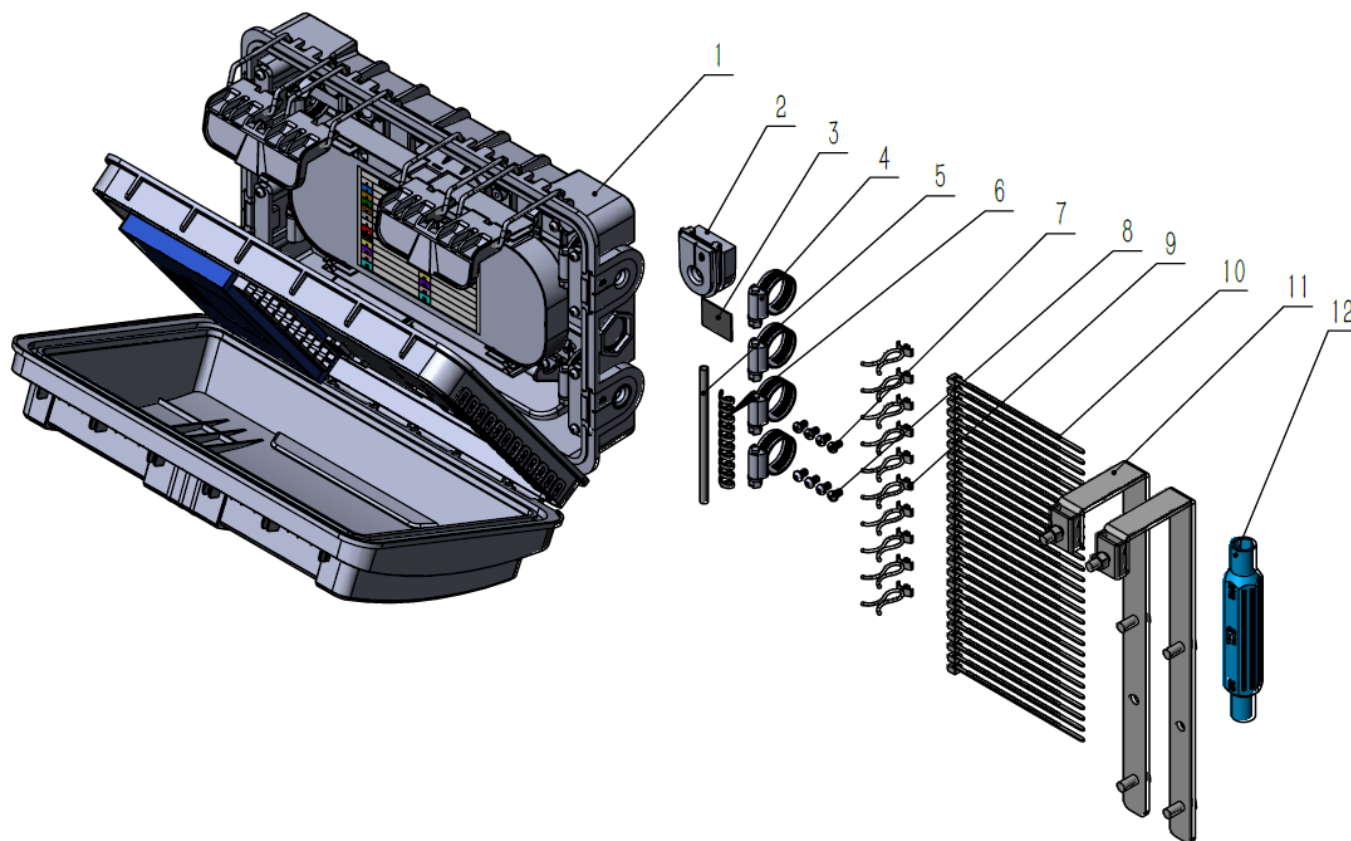
- Centralized PON Architecture
- Distributed PON Architecture

## Features

- Provisioned for field deployment
- Strand or Pedestal Mount
- Optical Splitting Scalability
- Up to 16 Optical Splitter Ports
- Ease of service entry for expansion and trouble shooting
- Factory configured and tested to exact applications
- IP 65 Rated
- UL 94V-0 Rated
- Closure Safety Standards: Designed to GR 771
- Optical module designed to meet GR 1209
- Optical component designed to meet GR 1221
- RoHS Compliant
- Dimensions:
  - 314 x 209 x 120 (mm)
  - 12.3 x 8.2 x 4.7 (inch)

## Mechanical Dimensions

### Overview



#### Component Part Identification:

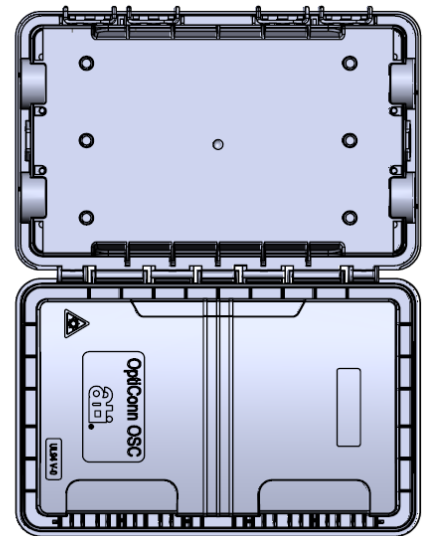
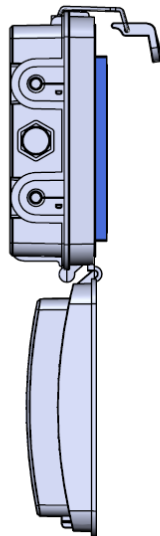
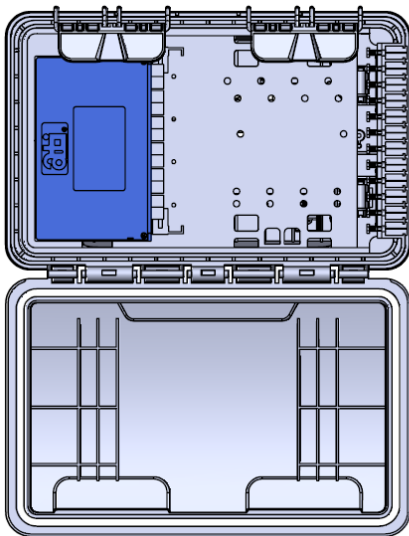
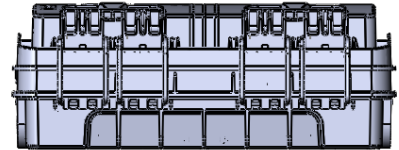
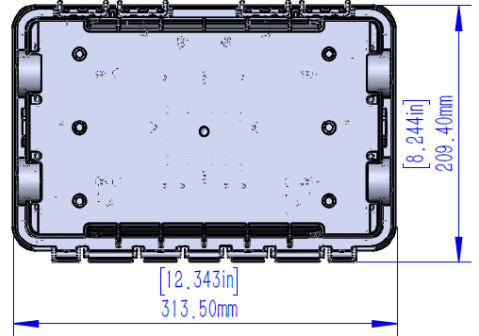
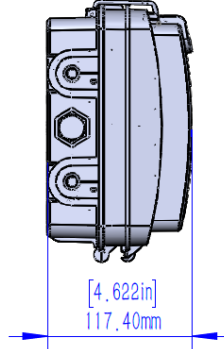
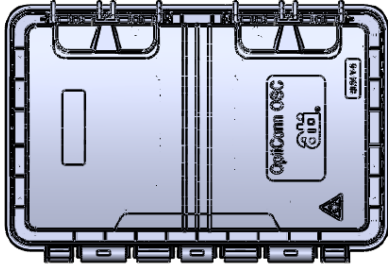
1. OptiConn Outdoor Splice Closure (1)
2. Plant Cable Grommet (1)
3. 3M Tapes (1)
4. Hose Clamp (4)
5. Transfer Tube (1)
6. Clear Rubber Spiral Cable Holder (1)
7. Pan Head Screws (4)
8. Tapping Screws (4)
9. Cable Clips (10)
10. Cable Ties (28)
11. Strand Mounting Bracket Set (2)
12. 3/8" and 7/16" can wrench



Accelight Technologies, Inc.

# Opticonn® Outdoor Splice Closure With Splitter / WDM

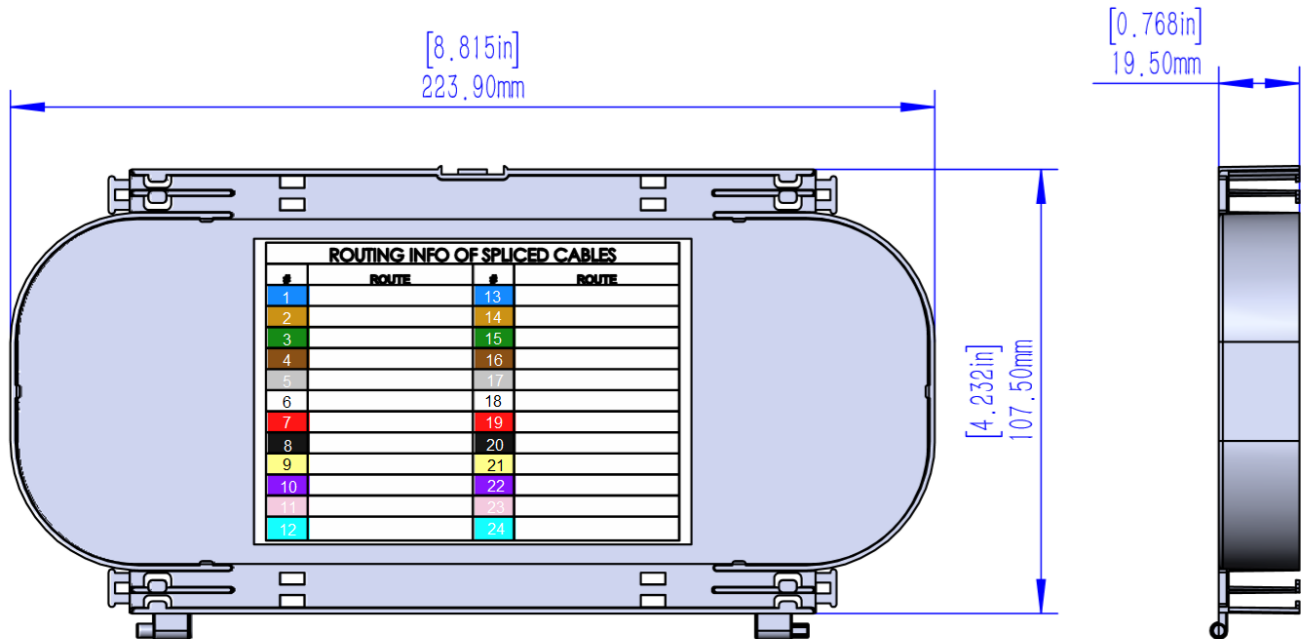
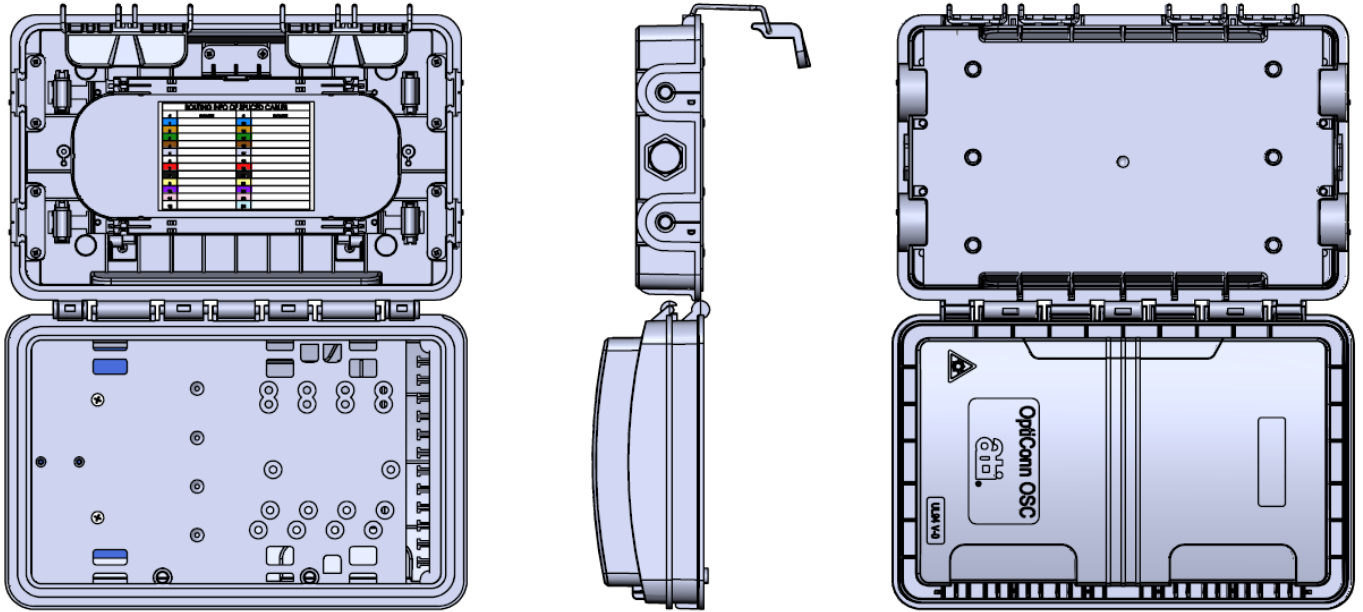
## Dimensions



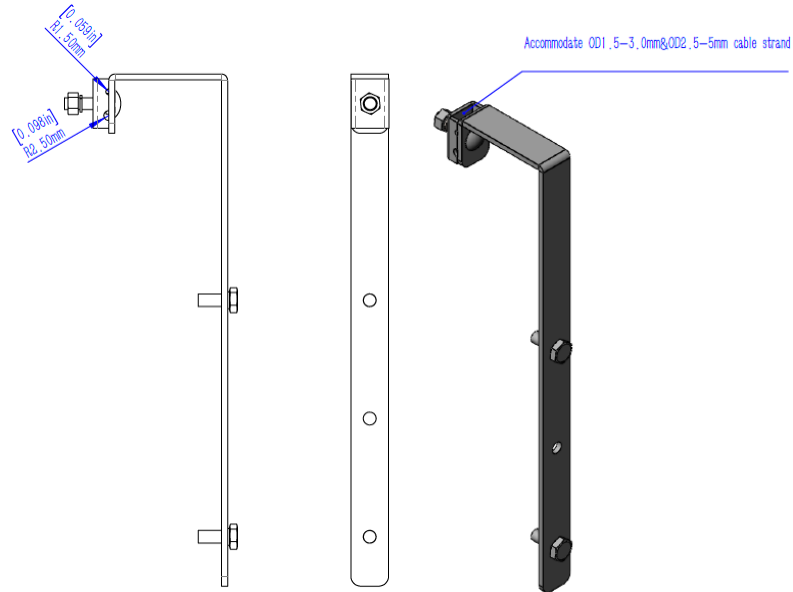


Accelight Technologies, Inc.

# Opticonn® Outdoor Splice Closure With Splitter / WDM

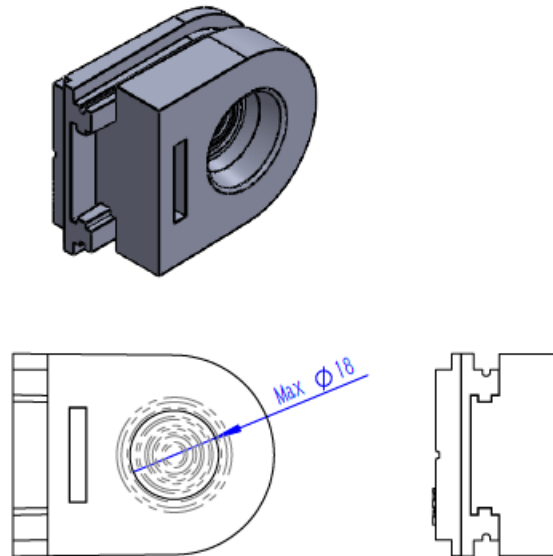


## Strand Mounting Bracket Set



- Dual Range Clamp design
  - attaches to 1.5mm - 3mm and 2.5mm-5mm cable strands

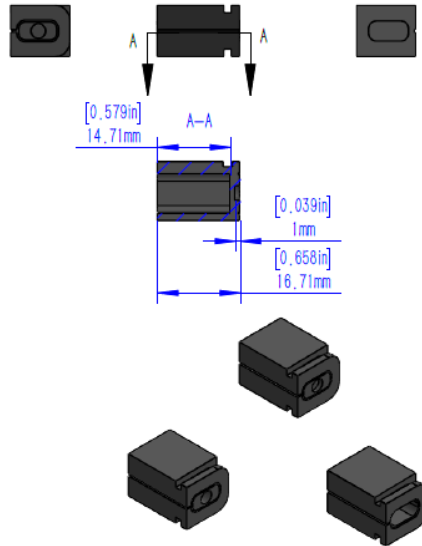
## Plant Cable Grommet



- The plant cable grommet can fit max OD 18mm distribution cable.



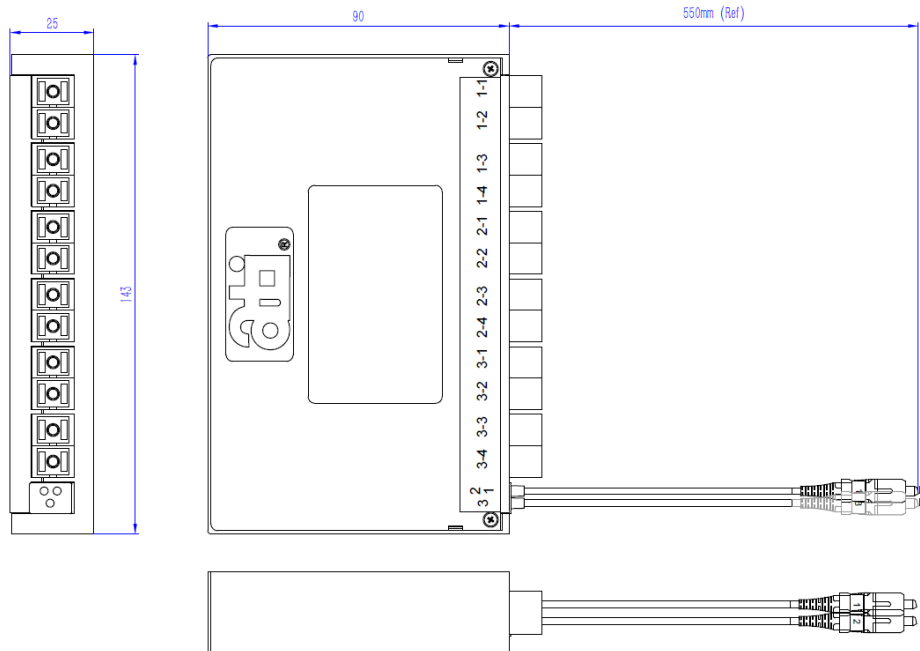
## Drop Cable Grommet



- The drop cable grommets can fit OD 3mm & OD 3.5mm & 4.7x8.3mm & 4.4x9mm drop cable

## Module/Housing

Triple





## Optical Connector and Bulkhead Options

SC/UPC or SC/APC and LC/UPC or LC/APC

Planar Splitters	Configuration (SC or LC Connector)			
	Single	Dual	Triple	Quad
1x4	√	√	√	LC only
1x8	√	LC only	LC only	NA
1x16	LC only	NA	NA	NA

Multiplexers	Channel Spacing	
	100GHz	CWDM
2 Channel	√	√
4 Channel	√	√
8 Channel	√	√
16 Channel	√	√

## Optical Splitter Specifications

Parameters	Unit		Value			
			1X2	1X4	1X8	1X16
Model			1X2	1X4	1X8	1X16
Operating Wavelength	nm		1260-1650			
Insertion Loss	Max	dB	4.3	7.4	10.7	14.0
Uniformity	Max	dB	0.5	0.8	1.0	1.2
PDL	Max	dB	0.3			
Return Loss	Min	dB	55			





Directivity	Min	dB	55
Operating Temp			-40~ +85
Operating Humidity		%	5~95
Fiber Type			G657 A1/A2

Insertion Loss Includes optical connector loss.

### 100GHz Multiplexers Specifications

Parameter	Unit	Value			
Channel Number		2	4	8	16
Center Wavelength	nm	ITU-T Grid			
Passband	nm	ITU±0.125			
Passband Flatness	dB	≤0.5			
Insertion Loss (Typ.)	dB	1.5	2.0	3.0	3.5
Insertion Loss (Max.)	dB	2.0	2.5	3.5	4.0
Channel Uniformity	dB	≤0.5	≤1.0	≤1.5	≤2.0
Adjacent Channel Isolation	dB	≥28			
Non-adjacent Channel Isolation	dB	≥40			

### CWDM Specifications

Parameter	Unit	Value			
Channel Number		2	4	8	16



Center Wavelength	nm	1271、1291、1311、1331、1351、 1371、1391、1411、1431、 1451、1471、1491、1511、1531、 1551、1571、1591、1611			
		CWL ±6.5			
Passband	nm	CWL ±6.5			
Passband Flatness	dB	≤0.5			
Insertion Loss (Typ.)	dB	1.4	1.6	2.6	3.8
Insertion Loss (Max.)	dB	1.7	2	3.2	4.5
Channel Uniformity	dB	≤0.5	≤1.0	≤1.5	≤2.0
Adjacent Channel Isolation	dB	≥30			
Non-adjacent Channel Isolation	dB	≥45			
Return Loss	dB	≥45			
PDL	dB	≤0.25			
Directivity	dB	≥50			
Operating Temperature	°C	-40~ +85			
Operating Humidity	%	5~95			

# Ordering Information

OSC	-	PLCS	-	102	-	S	-	LCU
		PLC Type			Configuration	Connector Type		
		102:1X2			S: Single	LCU:LC/UPC		



Accelight Technologies, Inc.

# Opticonn® Outdoor Splice Closure With Splitter / WDM

104:1X4	D: Dual	LCA:LC/APC
108:1X8	T: Triple	SCU:SC/UPC
116:1X16	Q: Quad	SCA:SC/APC

OSC	C	02	C20	LCU
	<b>WDM Type</b>	<b>Channel number</b>	<b>Start Wavelength</b>	<b>Connector Type</b>
	C: CWDM	02: 2 channel	C20: ITU CH21	LCU:LC/UPC
	D: DWDM	04: 4 channel	C21: ITU CH22	LCA:LC/APC
		08: 8 channel	27: 1271	SCU:SC/UPC
		16: 16 channel	29: 1291	SCA:SC/APC