

# 1-Port XGS-PON Terminal

MODEL: XGZ030



## Overview

TP-Link's XGZ030 XGS-PON Terminal provides up to 10 Gbps of uplink and downlink bandwidth simultaneously. It meets the higher bandwidth demand of various high-bandwidth services. It also reduces both capital and operating expenditure, protecting ISPs' existing infrastructure investments.



### 10G Wired Performance

Supports XGS-PON + 1 × 10 Gbps LAN ports to enable ultra-fast 10G network connections



### Bridge Mode

High-speed transparent transmission for the best signal



### Remote Management

Supports OMCI, enables an operator to remotely configure and manage end-user devices



### BOSA on Board Design

Support SC/APC port

## Features



**High Speed**  
Downstream and upstream rates  
up to 10Gbps

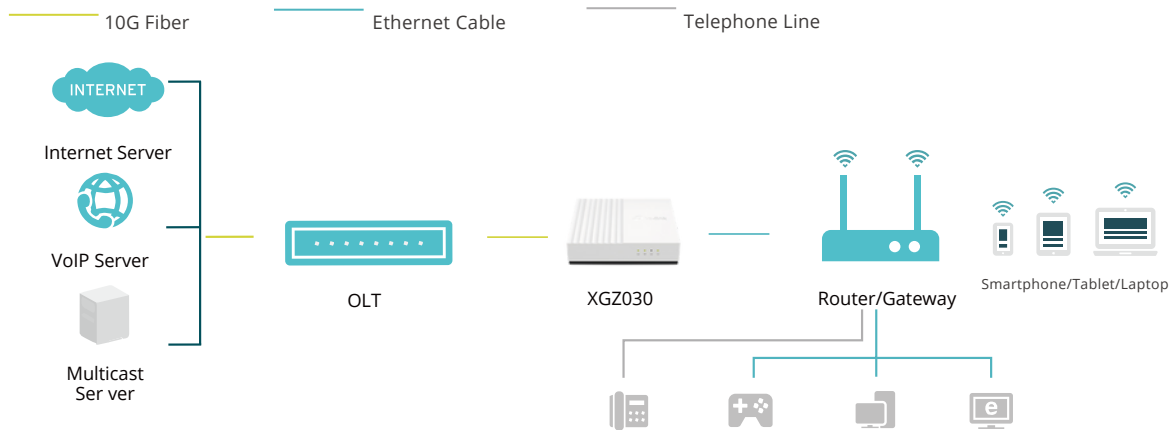


**Easy Management**  
Supports OMCI (ONT Management Control Interface) remote management

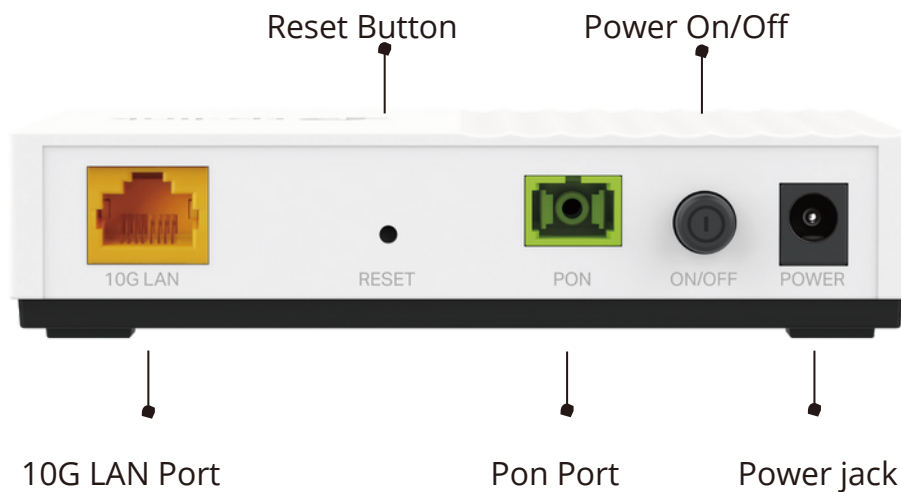


**Ease of Use**  
Quick and hassle-free installation  
Intelligent power-saving method

## Network Topology



## Hardware Description



# Specifications

## Hardware

- **Interface**  
1\*10GE LAN Port, 1\* XGS-PON Port
- **Button**  
Power On/Off Button, Reset Button
- External Power Supply**  
12V/1A
- **Dimensions (W \* D \* H)**  
4.72× 4.72 × 1.1 in (120 × 120× 27.85 mm)
- **Optical Module**  
Class E1
- **GPON Standards**  
ITU-T G.9807.1, ITU-T G.988
- **Transmitter**  
DFB Laser
- **Receiver**  
PIN-TIA
- **Data Rate**  
Upstream: 10Gbps, Downstream: 10Gbps
- **Wavelength**  
Upstream: 1270nm, Downstream: 1577nm
- **Distance**  
0 ~ 20Km Max
- **Flash**  
128M NAND Flash
- **RAM**  
128M DDR3

## Software

### VLAN

802.1Q tag VLAN, Q in Q VLAN  
VLAN transparent mode/VLAN translation mode/VLAN trunk mode  
Authentication based on SN and Password

- **IGMP**  
IGMP v1/v2/v3
- **Security**  
AES Encryption, Packet Filter based on VLAN
- **Management**  
Managed by Web, OMCI and Telnet, Specified the management IP, Reset to Factory default by Reset button or Web UI, Real-time statistics, Optical Diagnostic, Dual Image, Schedule Reboot, LED Schedule
- **Advanced Functions**  
Upstream and Downstream FEC, Dynamic Bandwidth Allocation(DBA) support NSR/SR, Up to 32 T-CONTs and 256 GEM Ports, Optical power detection, Dying Gasp, Terminal Silent mechanism, 802.3az EEE Energy Conservation

## Others

- **Certification**  
CE, FCC, RoHS
- **Environment**  
Operating Temperature: 0°C~40°C (32°F~104°F), Storage Temperature: -40°C~60°C (-40°F ~140°F)
- **Package Contents**  
1-Port XGS-PON Terminal  
Power Adapter  
RJ45 Ethernet Cable  
Quick Installation Guide