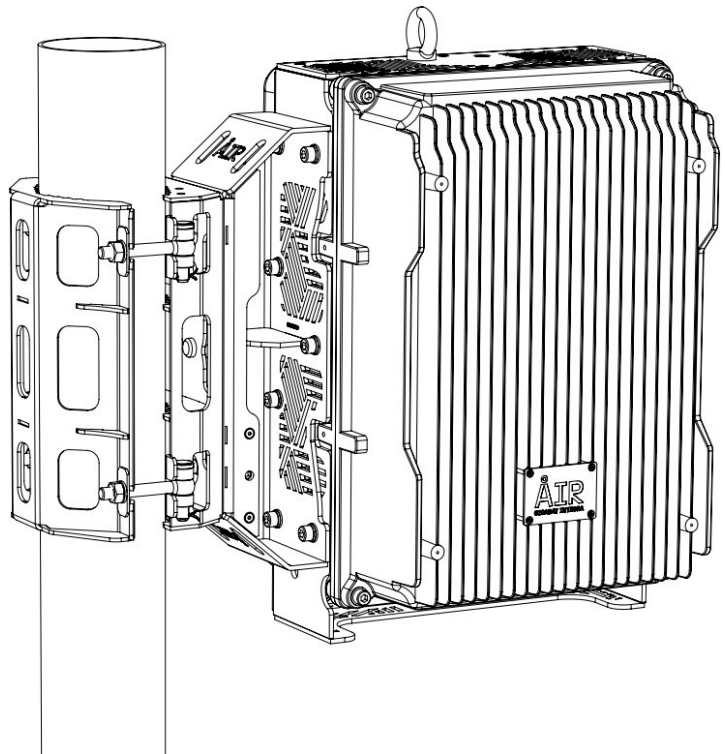


AIRWIRELESS



AIRWIRELESS, June 2024

GIA43HPRH1F0
GIA43VPRH1F0
71 GHz - 81 GHz

FDD
Superior RF performance
Fully compliant with all CableLabs certified DOCSIS vendors

BASE STATION

datasheet

AIR Wireless system is a unique wireless point to multipoint solution that enables operators to offer their customers full set of triple play services. System is especially suitable for areas with less developed infrastructure as it can be set-up very quickly and can cover wide area at once. It can deliver fiber-like services without the need for construction works, roadblocks and long deployment times.

Technical Specification for Base Station

TRANSMITTING SECTION

RF output frequency	71000 – 72000 MHz (2 x 500 MHz)
Gain flatness	±2 dB (-30°C - +55°C)
Max throughput (DOCSIS 3.1)	Up to 2.4 Gbps
Max output power	23 dBm / 500 MHz
Antenna gain	18.5 dBi (2 x 45°)
Beamwidth	90° – azimuth 8° - elevation

RECEIVING SECTION

RF input frequency	81000 - 81400 MHz
Gain flatness	±2 dB (-30°C - +55°C)
Noise figure	8 dB typ.
Max throughput (DOCSIS 3.1)	Up to 0.8 Gbps
Antenna gain	18.5 dBi (2 x 45°)

GENERAL SPECIFICATIONS

Power supply	48 VDC
Operating temperature	-30°C - +55°C
Operating altitude	0 to 3000 m
Ingress Protection	IP67
Enclosure Type	Type 3R

INTERFACES

Data	LC fiber connector
Power supply	M23 power transmission socket

ELECTRICAL

Operating voltage	40 - 52 VDC
Power consumption	Up to 286 W

PHYSICAL DIMENSIONS

Dimensions (W x H x D)	376.6 x 485.6 x 316 mm (14.83 x 19.12 x 12.44 in)
Weight of sector antenna	29.1 kg (64.15 lbs)
Weight of mounting brackets	5.6 kg (12.35 lbs)
Diameter of mounting pole	80 - 120 mm (3.1 - 4.7 in)

COMPLIANCE

Safety	EN IEC 62368-1:2020 + A11:2020 BS EN IEC 62368- 1:2020 + A11:2020 CSA/UL 62368-1:2019 part 1
FCC	CFR 47 Part 101
ISED	SRSP-371.0
ROHS	Compliant