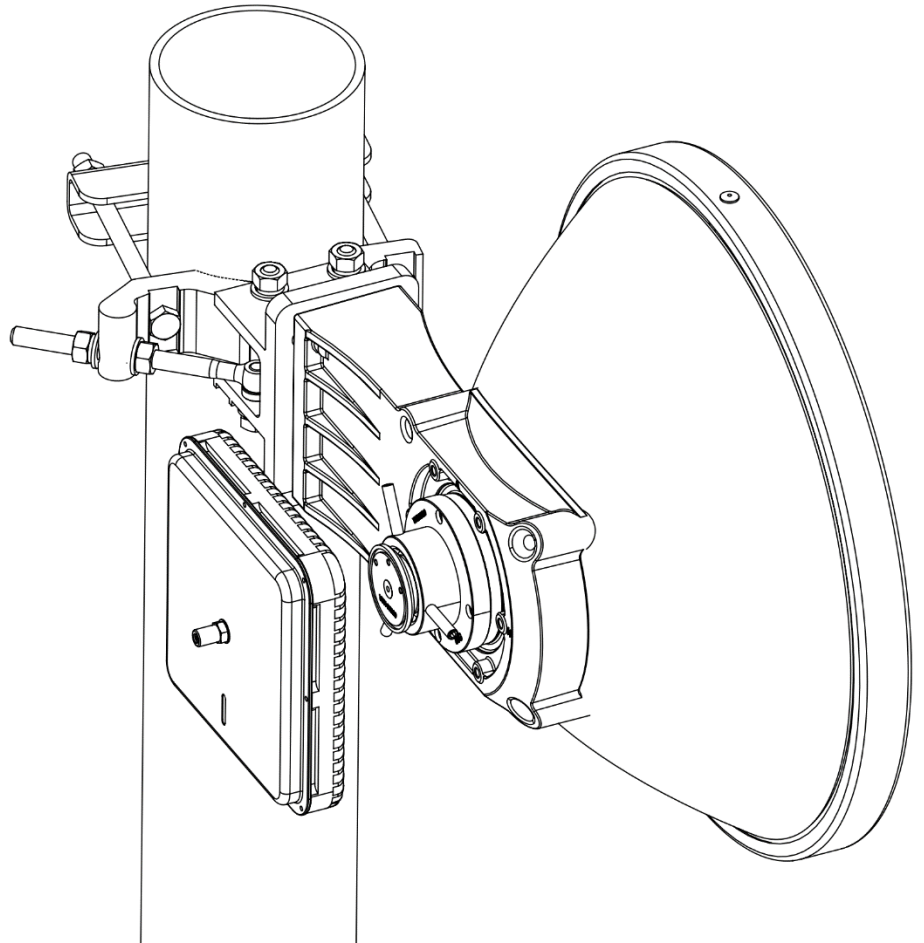


AIRWIRELESS



AIRWIRELESS, June 2024

GTA43B1Tx
GTA43B2Tx
71 GHz - 81 GHz

FDD
Superior RF performance
Fully compliant with all CableLabs certified DOCSIS vendors

CPE

datasheet

AIR Wireless system is a unique wireless point to multipoint solution that enables operators to offer their customers full set of triple play services. System is especially suitable for areas with less developed infrastructure as it can be set-up very quickly and can cover wide area at once. It can deliver fiber-like services without the need for construction works, roadblocks and long deployment times.

Technical Specification for Air Transceiver

TRANSMITTING SECTION

RF output frequency	81000 - 81400 MHz (175 MHz band per TRSC)
Gain flatness	±2 dB (-30°C - +55°C)
Max throughput (DOCSIS 3.1)	Up to 0.7 Gbps
Max output power	15 dBm / 175 MHz
Antenna gain	45 dBi - 30 cm (1 ft) MW antenna 49.5 dBi - 60 cm (2 ft) MW antenna

RECEIVING SECTION

RF input frequency	71000 - 72000 MHz (500 MHz band)
Gain flatness	±2 dB (-30°C - +55°C)
Noise figure	7.5 dB typ.
Receiver Sensitivity	-85 dBm (at 8 MHz channel)
Max throughput (DOCSIS 3.1)	Up to 2.4 Gbps
Antenna gain	45 dBi - 30 cm (1 ft) MW antenna 49 dBi - 60 cm (2 ft) MW antenna

GENERAL SPECIFICATIONS

Power supply	12 - 15 VDC LPS
Power consumption	26 W
Operating temperature	-30°C - +55°C
Outdoor protection Ingress Protection	IP67
Enclosure Type	Type 3R
Dimensions of transceiver (W x H x D)	160 x 160 x 63,8 mm (6.30 x 6.30 x 2.51 in)

GENERAL SPECIFICATIONS

Dimensions of transceiver with antenna (W x H x D)	447 x 389 x 257 mm (17.6 x 15.3 x 10.1 in) 1 ft antenna
	587 x 670 x 362 mm (23.1 x 26.3 x 14.2 in) 2 ft antenna
Weight of transceiver	1.44 kg (3.17 lbs)
Weight of 1ft and 2ft microwave antenna	6.7 kg (14.77 lbs) 1 ft antenna
	10.9 kg (24.03 lbs) 2 ft antenna
Diameter of mounting pole	51 – 114 mm (2 – 4.5 in) for 1 ft antenna
	114 mm (4.5 in) for 2 ft antenna

COMPLIANCE

Safety	EN IEC 62368-1:2020 + A11:2020, BS EN IEC 62368- 1:2020 + A11:2020, CSA/UL 62368-1:2019 part 1
FCC	CFR 47 Part 101
ISED	SRSP-371.0
ROHS	Compliant