



advanced media technologies

Charles Below Grade Enclosure (CBGE) are lightweight, molded polyethylene handholes available in eight tapered rectangular and two round sizes. Designed for light duty placements (parkway/greenbelt applications), these sturdy below grade enclosures serve a variety of purposes in telecommunications, wireless, utility, CATV and municipality networks.

Constructed from high-density polyethylene (HDPE), Charles Below Grade Enclosures are built to provide years of maintenance-free service and superior shelter for buried network components. CBGE allow technicians easy handhole access to splice cases, control valves, slack cable, and other equipment at network junctions. Molded-in or applied nameplates offer convenient identification, and several security bolt patterns are available.

#### MARKETS SERVED:

- Telecom / FTTX
- Utility
- Wireless
- Broadband Cable

## Molded Polyethylene Handholes for Telecommunications, Utility, Broadband Cable and Municipality Placements



Below Grade Enclosures

#### FEATURES

- Structurally rugged, non-metallic molded polyethylene material composition produces enclosures that are durable, lightweight, easy to install, and resistant to chemicals and water
- Tapered sides create maximum usable interior space, and allow both rectangular and round enclosures to be nested for compact shipping and storage
- Deep well bottom edges provide long-term stability in below grade placements
- Variety of drop-in or molded-in nameplates are available, with custom nameplates available via special order
- Multiple molded-in colors available - green, gray, and black
- Skid resistant covers improve safety
- Stainless steel bolts
- Integrated EMS detection available

#### APPLICATIONS

CBGE are designed to meet or exceed ANSI/SCTE ratings for light duty, pedestrian-only (greenbelt) applications, including:

- Fiber optic and copper slack cable coiling and storage
- Access to sealed cases (splice cases, repeaters, load coils, SmartCoils™, etc.)
- Meter boxes
- Irrigation system and other waterway control valves
- Integrated EMS detection available
- Traffic signal controls
- Ground rods

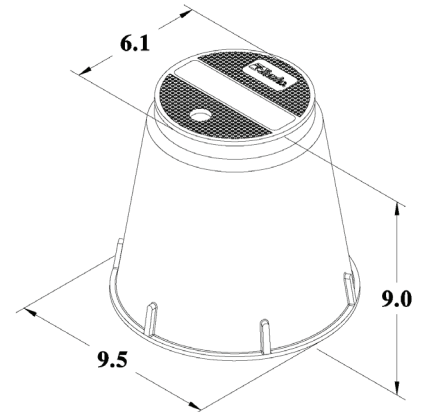
## P060010



**Appx. Dimensions:**  
06"W x 00"L x 10"D

**Cover Weight  
(Overlapping Cover):**  
0.25 lb.  
**Box Weight:**  
1.0 lbs.  
**Assembly Weight:**  
1.25 lbs.

**Pallet Quantity:**  
500  
**Loaded Pallet Weight:**  
675 lbs.



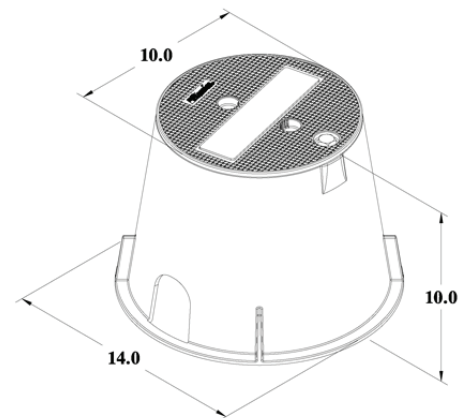
## P100010



**Appx. Dimensions:**  
10"W x 00"L x 10"D

**Cover Weight  
(Overlapping Cover):**  
1 lb.  
**Box Weight:**  
3 lbs.  
**Assembly Weight:**  
4 lbs.

**Pallet Quantity:**  
180  
**Loaded Pallet Weight:**  
770 lbs.



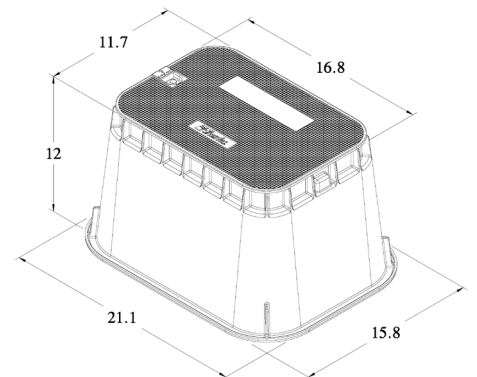
## P141912



**Appx. Dimensions:**  
14"W x 19"L x 12"D

**Cover Weight  
(Overlapping Cover):**  
2 lbs.  
**Box Weight:**  
6 lbs.  
**Assembly Weight:**  
8 lbs.

**Pallet Quantity:**  
78  
**Loaded Pallet Weight:**  
635 lbs.



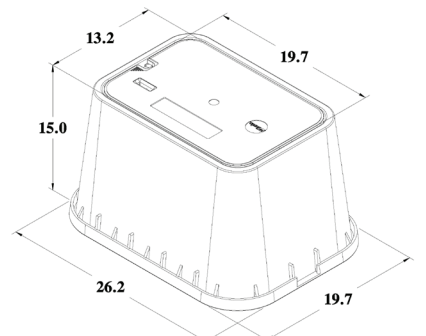
## P142015



**Appx. Dimensions:**  
14"W x 20"L x 15"D

**Cover Weight  
(Overlapping Cover):**  
6 lbs.  
**Box Weight:**  
12 lbs.  
**Assembly Weight:**  
18 lbs.

**Pallet Quantity:**  
100  
**Loaded Pallet Weight:**  
1850 lbs.



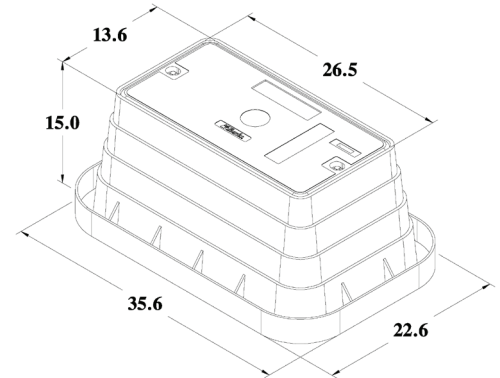
## P132415



**Appx. Dimensions:**  
13"W x 24"L x 15"D

**Cover Weight (Overlapping Cover):**  
5 lbs.  
**Box Weight:**  
19 lbs.  
**Assembly Weight:**  
25 lbs.

**Pallet Quantity:**  
30  
**Loaded Pallet Weight:**  
800 lbs.



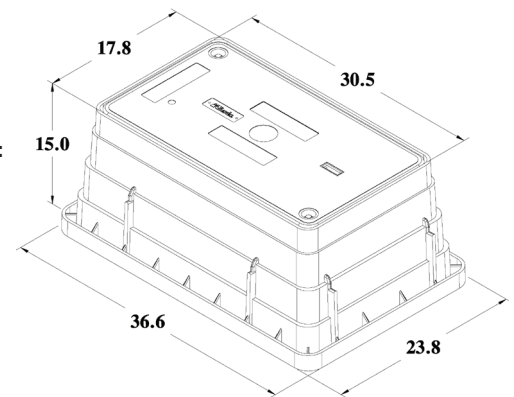
## P173015



**Appx. Dimensions:**  
17"W x 30"L x 15"D

**Cover Weight (Overlapping Cover):**  
11 lb.  
**Box Weight:**  
20 lbs.  
**Assembly Weight:**  
31 lbs.

**Pallet Quantity:**  
20  
**Loaded Pallet Weight:**  
670 lbs.



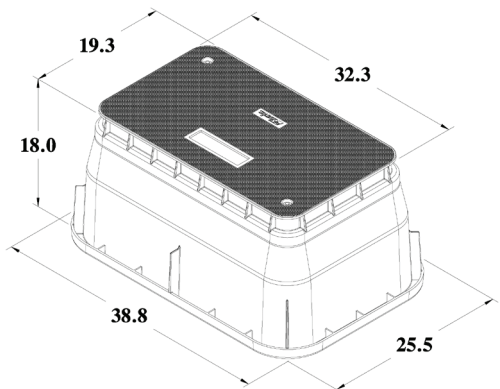
## P173018



**Appx. Dimensions:**  
17"W x 30"L x 18"D

**Cover Weight (Overlapping Cover):**  
11 lbs.  
**Box Weight:**  
21 lbs.  
**Assembly Weight:**  
32 lbs.

**Pallet Quantity:**  
10  
**Loaded Pallet Weight:**  
370 lbs.



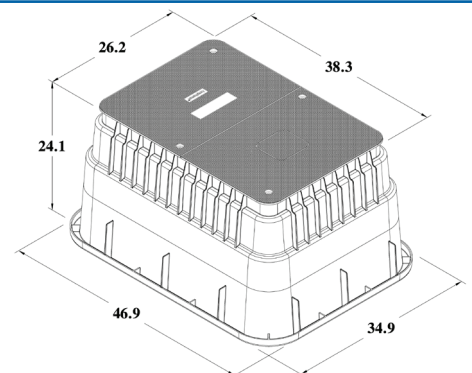
## P243624



**Appx. Dimensions:**  
24"W x 36"L x 24"D

**Cover Weight (Overlapping Cover):**  
20 lbs.  
**Box Weight:**  
47 lbs.  
**Assembly Weight:**  
67 lbs.

**Pallet Quantity:**  
6  
**Loaded Pallet Weight:**  
402 lbs.





# Charles Below Grade Enclosures Part # Nomenclature



1                      2                      3                      4                      5                      6                      7                      8                      9                      10                      11

## 1 – Product

P = P-Series

## 2 – Size - Width\*

06 = 6 inches  
 10 = 10 inches  
 13 = 13 inches  
 14 = 14 inches  
 17 = 17 inches  
 24 = 24 inches

## 3 – Size - Length\*

19 = 19 inches  
 20 = 20 inches  
 24 = 24 inches  
 30 = 30 inches  
 36 = 36 inches  
 00 = Round

## 4 – Size - Depth\*

10 = 10 inches  
 12 = 12 inches  
 15 = 15 inches  
 18 = 18 inches  
 24 = 24 inches

\*For #2-#4, see inside pages for 8 valid size combinations

## 5 – Type

A = Base/Cover  
 S\*\*\* = Base/2-Piece Split Cover  
 Y\*\* = Base/2-Piece Split Cover with Pedestal Cut-Out 5.75" x 6.25"

\*\*Y is only available on 17"x30"x18" & 24"x36"x24"  
 \*\*\*S is only available on 24"x36"x24"

## 6 – Base Color\*\*\*\*

B = Black  
 G = Green  
 E = Gray

\*\*\*\*Models with Overlapping Covers are available with Black (B) Base Color option only.

## 7 – Cover Color

G = Green  
 E = Gray

## 8 – Option\*\*\*\*\*

M = Tapered w/Mouse Hole  
 T = Tapered (std.)

\*\*\*\*\*Mouse hole option is only available on 6" and 10" round, and 14"x19"x12" and 14"x20"x15" rectangle sizes.

## 9 – Bolt Type

E = Edison Penta-head  
 H = Hex-head  
 R = REA Penta-head  
 X = None

## 10 – EMS Detection

T = Telephone  
 P = Power  
 X = None

## 11 – Name Plate/Customer

CA = CATV  
 CU = COMMUNICATIONS  
 EL = ELECTRIC  
 FO = FIBER OPTIC  
 GA = GAS  
 GD = GROUND  
 LT = LIGHTING  
 PW = POWER  
 TE = TELEPHONE  
 XX = Blank (Filler)  
 -- = Empty

## Name Plate Examples

