

AMT FOSC

Description:

Designed to ensure seam protection, and Weather resistant.



AMT FOSC Specifications

Specification Technical:

Dimension	420 (Height) x 215 (diameter) mm
Material	Polypropylene (Thermoplastic)
Weight	1,600kg
Degree of Protection	IP68
Warranty	12 months
Supports Fissure	Yes
4 Derivation	With Oval inputs for cables From 6 mm to 14mm
4 Derivation	Derivation for cables from 6 mm to 12mm
8 Derivation	With Oval inputs for cables From 6 mm to 14mm
8 Derivation	Derivation for cables from 6 mm to 10.5 mm
Collor	Black/ Blue/ Yellow/ Grey/ Green

Fusions:

Qty of Fusions	12/ 24	36/ 48	60/72	84/96
Qty of Compartments	1	2	3	4

Note 1: The protector overlap 2 by 2

Note 2: The Protectors must be the same size already provided in the kit (45x3,5mm with steel 1,00mm (after contraction 2,5mm))



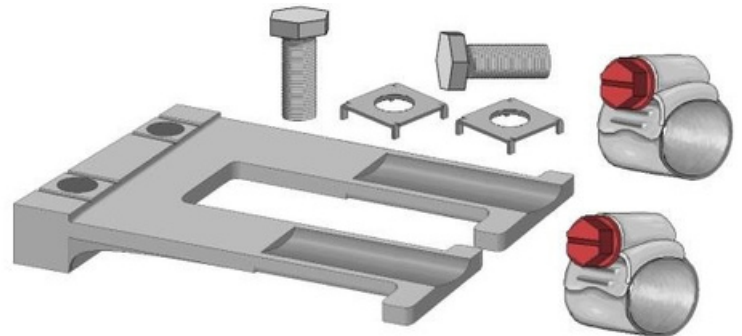
AMT FOSC Specifications

Spare parts:

- 1 Installation Guide
- 1 Dome
- 1 Base (4 or 8 Derivations)
- 1 Lock parts
- 1 Basket (Technical Reservation Accommodation)
- 1 Ring format “O”
- 2 Cable Ties T 50R-UV
- 1 Sachet of Silicon paste
- 1 Velcro tapes for Trays
- 1 Trays of optical splices of 24 positions
- 2 Crib for 12 splices protector
- 4 Cable Ties T18R
- 1 Meter of Transport Tube
- 1 Set of numeric identifiers from 1 to 12
- 1 Transparent Cover of Tray
- X Heat Shrink Splice Protector 45x3,5mm with steel 1,00mm (after contraction 2,5mm) Quantity Accompanies the order

Set Lock Cable:

- 1 Lock Cable
- 2 Cable Ties Of Carbon Steel 9x13
- 2 Square Washer of Steel “O”
- 2 Screw 5x20 Steel A-304



Set BOX LOCK Seal of Oval Input:

- 1- Oval Seal for 6/14mm
- 2- Putty of Caulk (PT MCM 654 80 X 60 X 2,5 mm)
- 1- Polyethylene Tube 4.0mm EXTER
- 1- Sachet of isopropyl Alcohol 70%
- 1- Silicon Putty lubricant 10gm
- 1- Sandpaper Strip 50mm x 45mt G 120 1- Plastic Bag 15 X 27 X 0,10 Sets

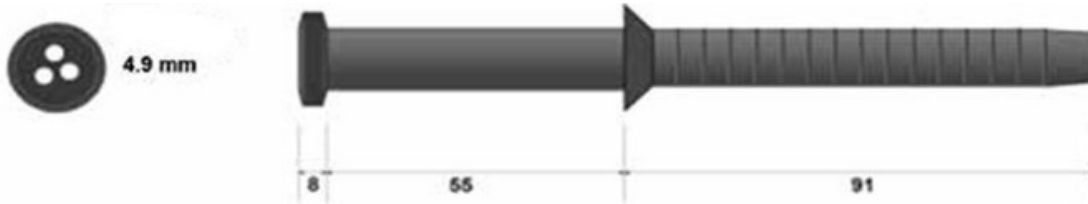


AMT FOSC Specifications

Optional

- 1 Set Mechanical derivation for cables (DROP FLAT / DROP FIG8 (CIRCULAR))
- 1 Set Tray 24FO Until 96 FO
- 1 Pole Fixing Bracket / Cord / Underground Gallery
- 1 Support Of Technical Reservation for Optical cable

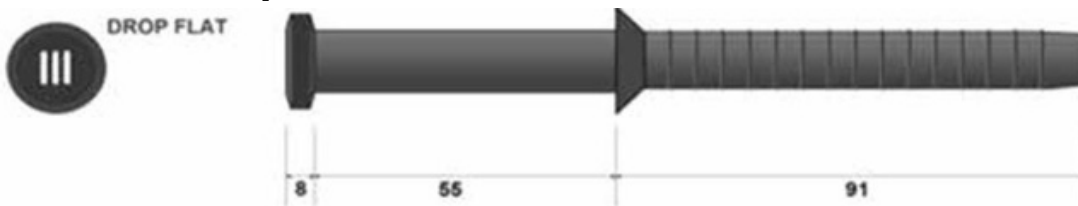
For 4 Derivation Drop Circular



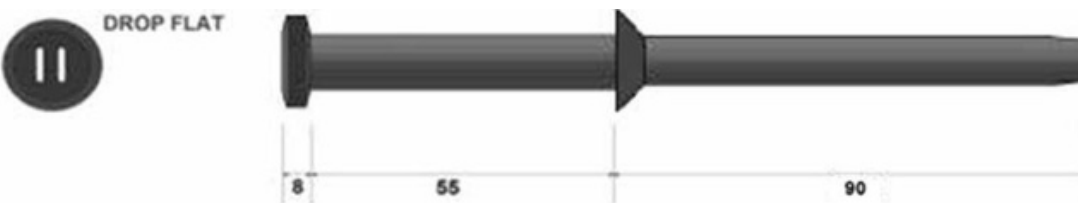
For 8 Derivation Drop Circular



For 4 Derivation Drop Flat



For 8 Derivation Drop Flat



AMT FOSC Specifications

Derivations

Type of Inputs	Inputs	Diameter Of Derivations Cable (mm)
CIRCULAR	4	6mm – 8mm (Base for 4 Derivation) Mechanical
CIRCULAR	4	8mm – 12mm (Base for 4 Derivation) Mechanical
CIRCULAR	8	6mm – 8mm (Base for 8 Derivation) Mechanical
CIRCULAR	8	8mm – 10,5mm (Base for 8 Derivation) Mechanical

4D Base



6/8mm
8/12mm



8D Base

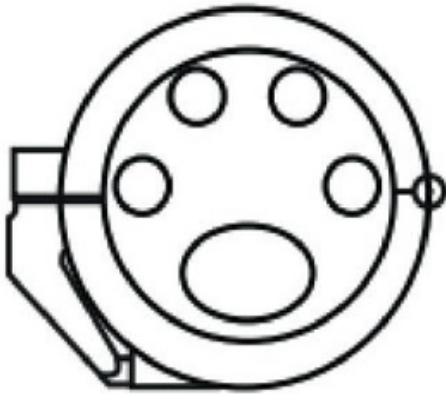


6/8mm
8/10,5mm

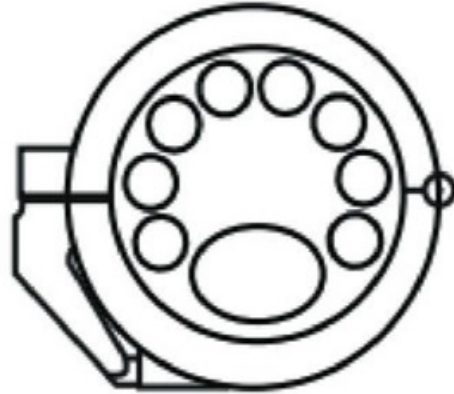


AMT FOSC Specifications

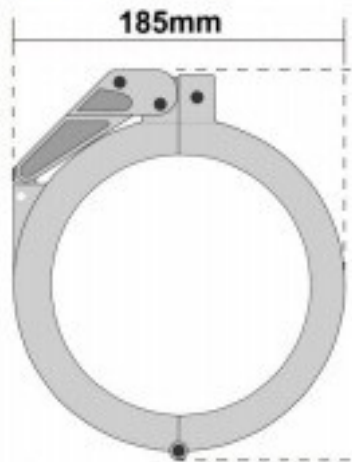
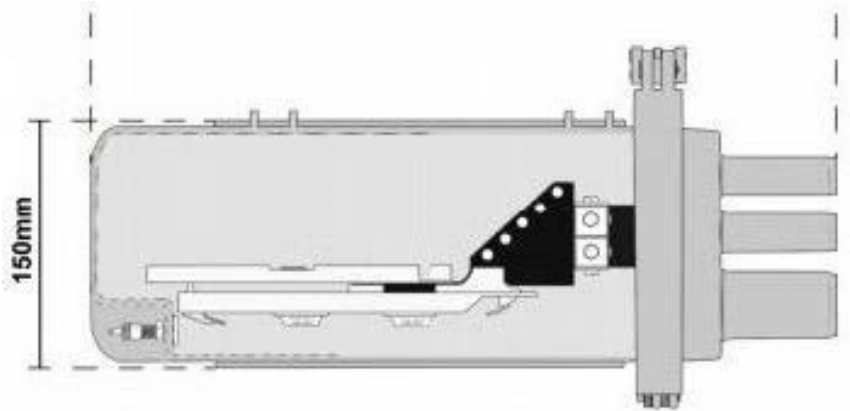
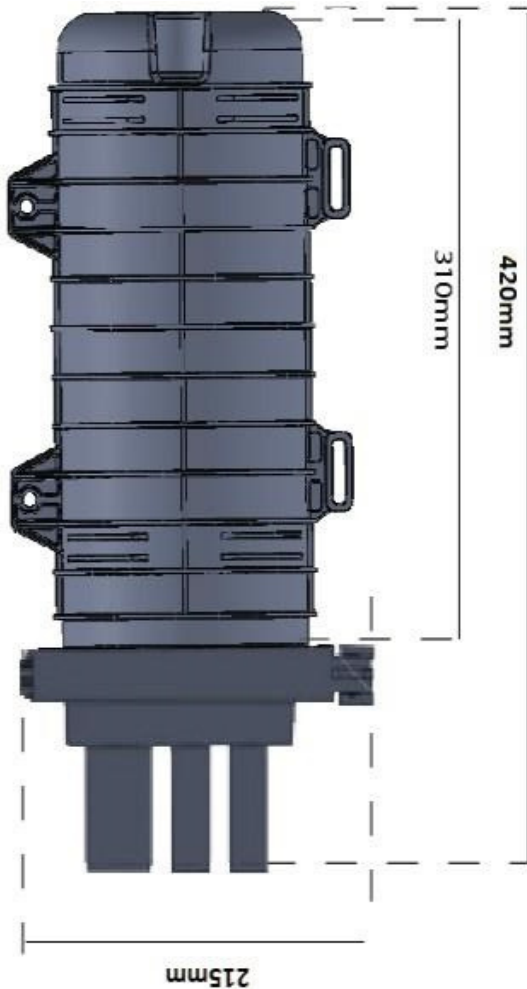
Models:



4D



8D

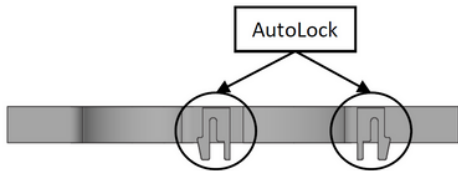
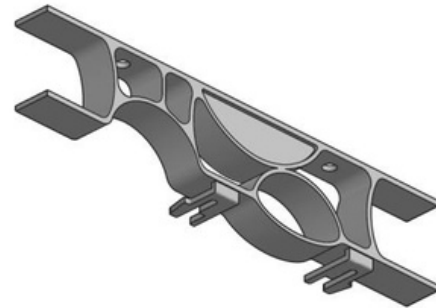
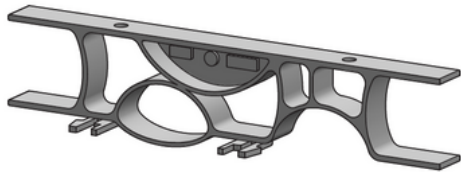


AMT FOSC Specifications

The Dielectric Support allows the Splicing Kit to be fixed to the dome by two easy-to-handle locks, thus facilitating maintenance work. The Support can be fixed to a pole, by means of a bap clamp or steel tape, and it can also be fixed to a strand using two dielectric clamps to 3/16” (4.8 mm) strand or 1/4” (6.4 mm) strand, with M10 x 35 mm PCA Screws with nuts and flat and pressure washers.

SDRTM – Technical Reserve Support

Specification	
Length	435mm
Height	90mm
Thickness	3mm



Fixed in Post



Fixed in Cord

