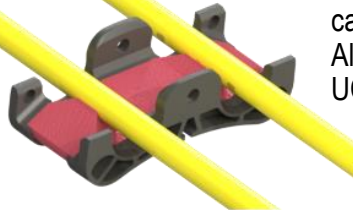


MID-SPAN ACCESS ENTRY

Step 1

Remove Gelblock Assembly from Endplate and prepare cable according to company standards. Position cable on the LGH.

Note: Mid-entry length approx. 156.0" Jacket-to-jacket



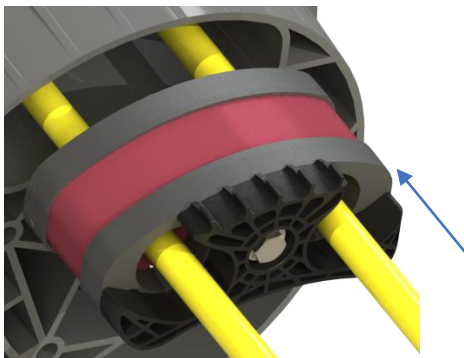
Step 2

Snap the RGH over the cable, onto the LGH. Align and insert the UCP and CB



Step 3

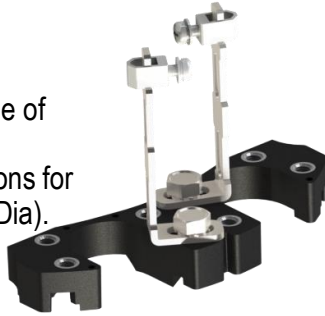
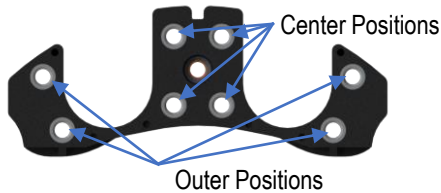
Insert Gelblock and cable assembly into the Endplate Assembly pocket, as shown



Step 4

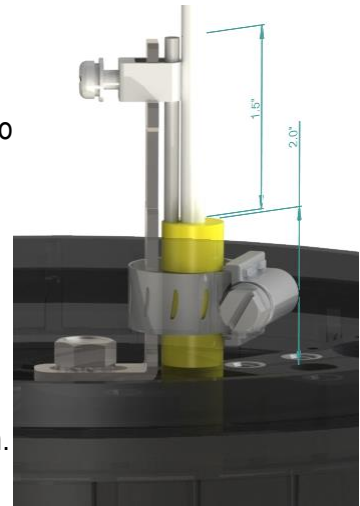
Attach the provided Strength Member Bracket (SMB) to one of the desired positions.

Note: Use the 4 center positions for large diameter cables (>0.3" Dia). Use the 4 outer positions for smaller diameter cables.



Step 5

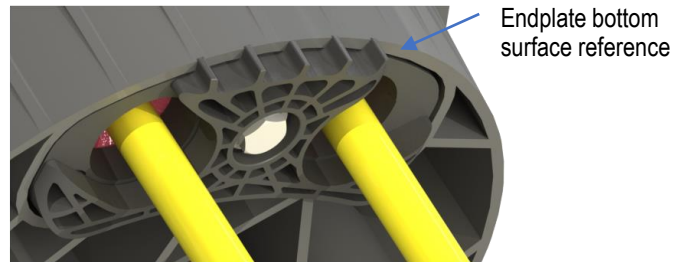
Cut the strength member to 1.5" length above cable jacket and position the cable ~2.0" above the gelblock's top surface. Insert strength member into SMB and secure the cable using the provided Hose Clamp. Tighten the SMB bolt into final position.



Step 6

Tighten CB until the UCP is fully seated onto the Endplate's bottom surface, as shown (~15-20 in-lbs)

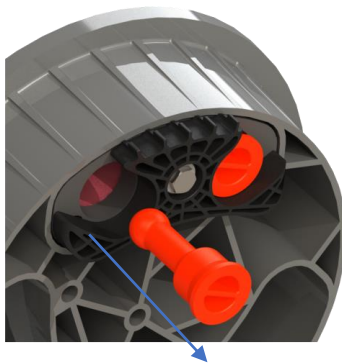
Note: For larger diameter cables the teeth of UCP may not contact the endplate surface. The gelblock will seal, provided the proper torque has been achieved.



REEL/CUT-END AND DROP CABLES

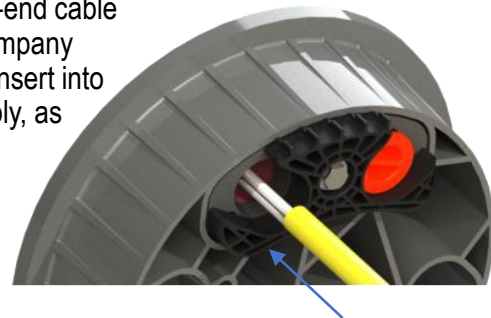
Step 1

Loosen the Gelblock CB and remove the UPP



Step 2

Prepare reel/cut-end cable (according to company standards) and insert into gelblock assembly, as shown



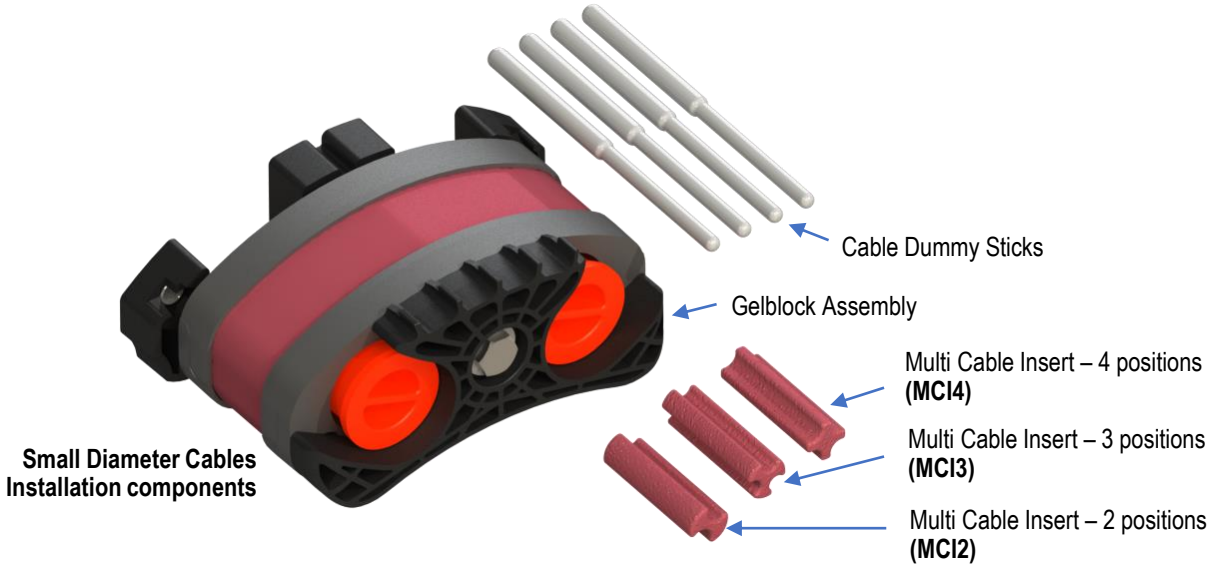
To finish installation follow Steps 4-6 as shown on Mid-Span access entry cable
Insert Unused Port Plugs into all unused ports, before tightening the Compression Bolt.



OPTICONN 500

GELBLOCK INSTALLATION INSTRUCTIONS

GB-II_Rev01



SMALL DIAMETER AND DROP CABLES INSTALLATION

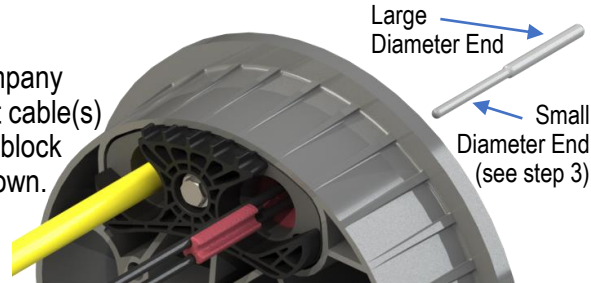
Step 1

Loosen the CB and remove the UPP



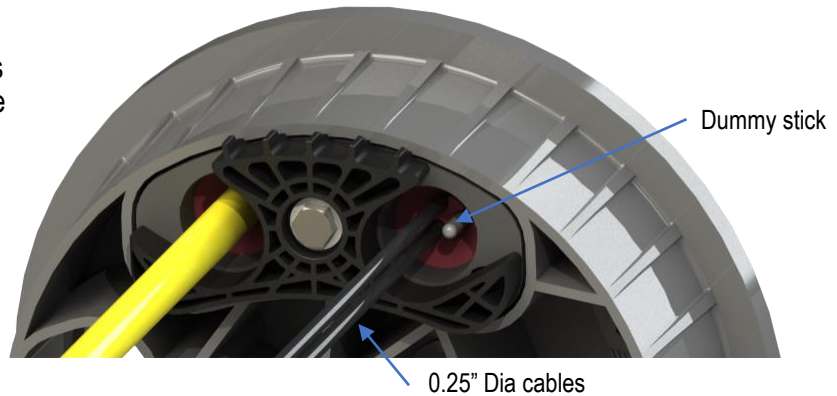
Step 2

Prepare cable(s) according to company standards. Insert cable(s) with MCI into gelblock assembly, as shown.



Step 3

Insert provided cable dummy sticks onto unused ports of MCIs from the inside, as follows:
Use large diameter end on MCI2 and MCI3, respectively small diameter end on MCI3 and MCI4.



2x0.25" Dia Cable installation illustration, using MCI3 and single Dummy Stick

To finish installation follow Steps 4-6 as shown on Mid-Span access entry cable

Insert Unused Port Plugs and/or Dummy Sticks into all unused ports, before tightening the CB