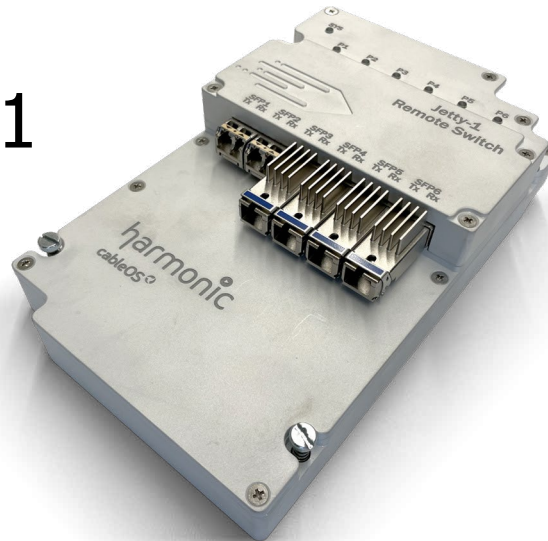


CableOS® Jetty-1

REMOTE SWITCH DEVICE



The Jetty 60G-capable remote switch (RSW) brings multigigabit connectivity to every rural, suburban and urban community. The Jetty offers six SFP+ ports, at 10 Gbps each, for unprecedented outdoor switching capacity.

Gain an agile, scalable and sustainable foundation to provide the next generation of broadband services. Quickly deploy new fiber-to-the-home (FTTH) high speed data services, improve broadband connectivity to businesses with Jetty and Harmonic’s cloud-native CableOS multi-access edge solution.

Utilize the Fin Remote OLT (R-OLT) on Jetty ports together with Harmonic’s virtual OLT application which runs on CableOS to provide 10G EPON and XGS-PON services. Up to five Fin R-OLTs can be deployed in a single Jetty. Use Jetty with Harmonic’s hardened Ripple DAA nodes connecting access networks to multiple premises from the most optimal outdoor or indoor location for FTTH services. Deploy the Ripple DAA Node with a combination of one Jetty and one Pebble module or with two Jetty modules.

Jetty enables simple PON and fiber deployments where and when you need it with latency and loss-sensitive optical components placed closer to your subscribers eliminating the legacy PON distance limitation. Eliminate the need for more capital-intensive, fiberoptic infrastructure, leverage existing back-office systems and improve service velocity using a single virtual solution.

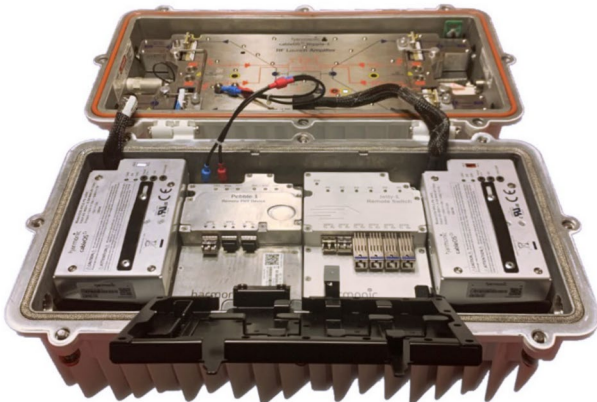


Fig.1 Jetty RSW and Pebble RPD inside Ripple node

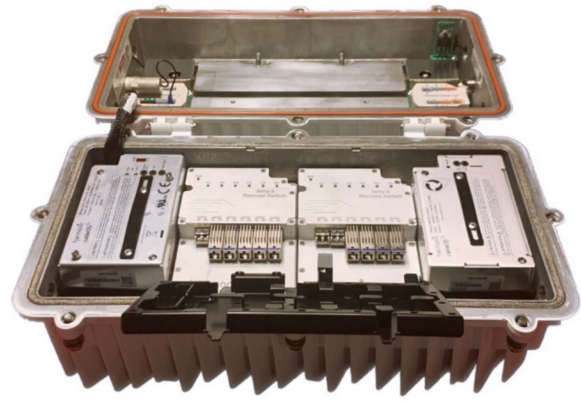
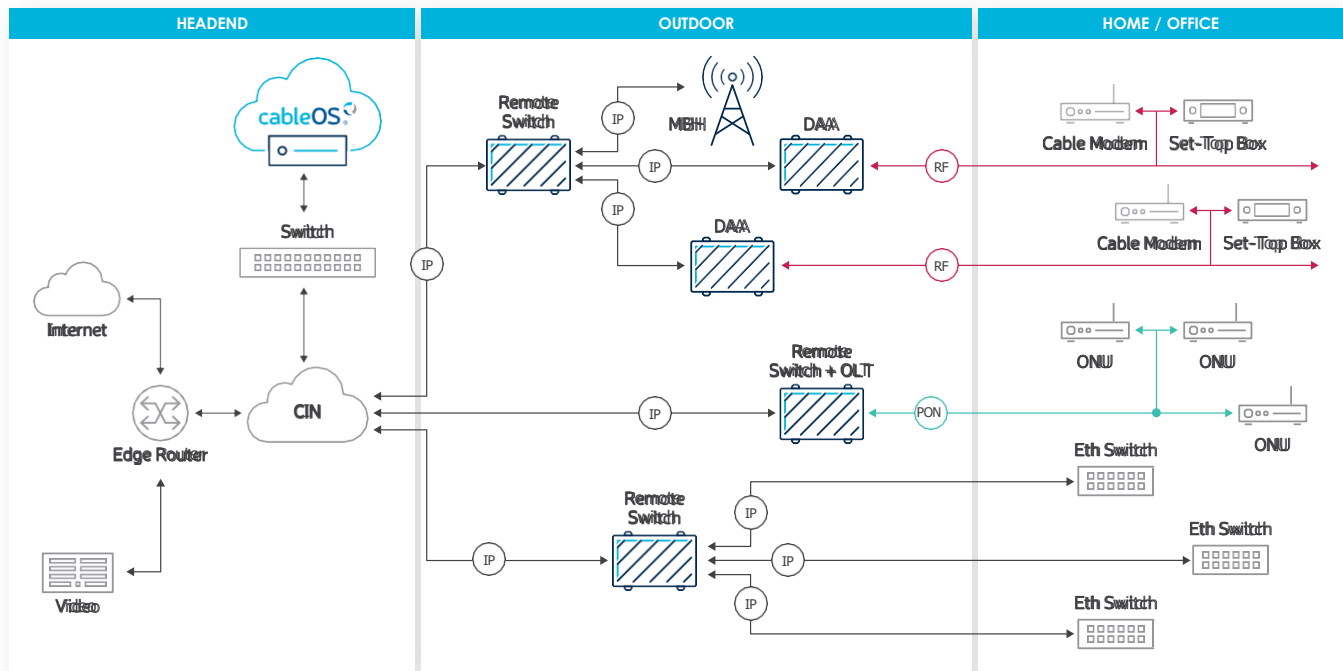


Fig.2 Two Jetty RSW modules inside Ripple node

HIGHLIGHTS

- Remote Outdoor Ethernet L2/L3 Switch
- Remote OLT for PON
- Residential, Enterprise and Wireless xHaul LAN/PON access
- Business Services

Deployment Diagram



SPECIFICATIONS

SWITCH CHARACTERISTICS

Number of Ethernet Ports	Six SFP+ for 1G or 10G ports
Maximum Switching Bandwidth	60 Gbps
Ports for Fin-1R-OLT Modules Assembly	Five out of six SFP+ ports
MACSEC	Supported on SFP1 and SFP2 ports
Buffer Memory	2 Mbyte
MAC Addresses	16K
Number of ACEs	2K
VLAN IDs Available	4094
Jumbo Ethernet Frame	9 KBytes

FEATURES

Internet Protocol	IPv4, IPv6
Switch Management	CLI, SNMPv3
Network Security	802.1x, SSH, AAA, TACACS and RADIUS
QoS	Eight egress queues, DSCP CoS, 802.1p CoS, Trust boundary
Tunneling	VxLAN
Operation	DHCP, NTP, LAG, LACP, MSTP, RSTP, TFTP, IGMP snooping and MLD

POWER CONSUMPTION

<15W (without SFP modules)

MECHANICAL SIZE

184x115x45 mm

ENVIRONMENTAL

Designed for deployment within an outdoor node housing

ORDERING INFORMATION

Category	Part Number	Description
Jetty-1Remote Switch	COS-JTY1S-6T-2M	Eth/IP Switch, six 10G ports, MACSEC supported by two ports
Fin-1Remote OLT	COS-FIN1-10-I-E1	10G/10G SFP+ based OLT, PR10+ optical power budget with extended receiver sensitivity, 5 km link with 1:128 split
Fin-1Remote OLT	COS-FIN1-10-I-H0	10G/10G SFP+ based OLT, PR10+ optical power budget, 5 km link with 1:64 split