

OPTICONN™ 250 Dome Fiber Closure Specification



Application

- Outdoor Fiber Optic Cable Splicing and Cable Management
- Aerial, Underground, or Direct Bury
- Mid-span Cable and Cut-end Cable Entry
- Single Fusion and Mass Fusion (Ribbon) Fiber Splicing
- Cable Purpose(s): Back-bone, Lateral, and Drop
- Cable Type(s): Armored, ADSS, Loose Tube, Ribbon, Micro Cable, Flat or Round Drop Cable
- Optical Splitters and/or Multiplexers Integration
- PON



Features

- Up to 6 Cable Entry Points, each port capable of 1-4 cables
- Gel Seal Designed for 0.23” to 0.9” of fiber cable diameters
- Optional Short Tray(s): up to 24~36 Single Splices per Tray
- Optional Tall Tray(s): up to 24~36 Single or 72~144 Ribbon Splices per Tray
- Up to 2 Mid-Span Cable Capacity
- Slotted Tray Tower Design for Mix Use of Short and Tall Trays
- Additional “Flex” Slack Basket for increased storage capacity
- Strand & Pole Mounting Bracket Options

Standards

- IP68
- GR771
- RoHS

Standard Accessories

- Dome with O ring
- Locking Clamp
- (1) Splice Tray
- Hose Clamps
- Cable Ties
- Velcro Strap
- Buffer Felt
- Pressure Valve Kit
- Closure Multi Tool

Optional Accessories

- Short Tray(s)
- Tall Tray(s)
- Flex Basket (Extra Storage)
- Tray Hinge Adapters
- Aerial Mount Bracket
- Pole Mount Fixture
- Grounding Kit
- Bench Clamp Fixture
- Bench Clamp 250 Adapter
- Drop Gel Block

Note: Tall Trays are recommended for use for 900 micron and flat Ribbon splicing applications



OPTICONN™ 250 Part Number: OC250-OG01-F1T0S2-V1G0

Base Model



Standard Accessories Included:
Compression Gels Seals
Multi-Cable Entry Kit
Closure Multi Tool
Main Slack Basket
Flash Valve

Additional Selected Kit Accessories Included:
(2x) 2 Port GelBlock
(2x) Short Tray,
12.5 mm Tray Height
(1x) Flex Basket preinstalled

Closure Capacity:

With Flex Basket Installed
4 Tall Trays
Up to 144 Single Splices
Up to 288~384* Ribbon Splices

With Flex Basket Removed
6 Tall Trays
Up to 216 Single Splices
Up to 432~576* (12per) Ribbon Splices

*Depending on Ribbon Fiber Type



Accelight Technologies, Inc.

OPTICONN™ 250 Dome Fiber Closure Specification

(Engineering Control)

OPTICONN™ 250 Part Number: OC250-OG02-F1T0S2-V1G0

Base Model



Standard Accessories Included:
Compression Gels Seals
Multi-Cable Entry Kit
Closure Multi Tool
Main Slack Basket
Flash Valve

Additional Selected Kit Accessories Included:
(1x) 2 Port GelBlock
(1x) Drop GelBlock
(2x) Short Tray,
12.5 mm Tray Height
(1x) Flex Basket preinstalled

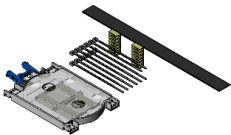
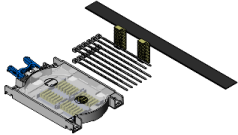
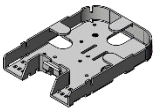


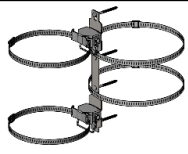


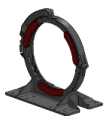

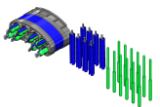
Closure Capacity:

With Flex Basket Installed
4 Tall Trays
Up to 144 Single Splices
Up to 288~384* Ribbon Splices

With Flex Basket Removed
6 Tall Trays
Up to 216 Single Splices
Up to 432~576* (12per) Ribbon Splices

*Depending on Ribbon Fiber Type

Optional Accessories

Part Number	Specification	Picture
OC250STA	OPTICONN™ 250, Short Tray Assembly, 12.5mm height, 2 single splice holders installed, with Tray Hinge and accessories (12 cable ties & 1 buffer felt & 2 ribbon splice inserts)	
OC250TTA	OPTICONN™ 250, Tall Tray Assembly, 17mm height, 2 ribbon splice holders installed, with Tray Hinge and accessories (12 cable ties & 1 buffer felt & 2 single splice inserts)	
OC250FXB	OPTICONN™ 250, Additional Slack Storage and Transfer Flex Basket	
THA1	OPTICONN™, Tray Hinge Adapter	
OC250AMK	OPTICONN™ 250, Aerial Mount Kit	
OC250PMK	OPTICONN™ 250, Pole Mount Kit	
GK1	OPTICONN™, Grounding Kit, 1 Bolt + 1 Wire	
GW3	OPTICONN™, Grounding Kit, 3 Wires	
OC500BC	OPTICONN™ 500, Bench Clamp Fixture Kit	
OC250BC	OPTICONN™ 250, Bench Clamp Adapter	
OCGBFD	OPTICONN™, Drop Cable Gelblock	

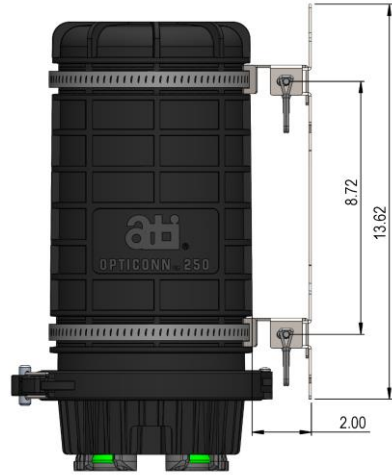


Accelight Technologies, Inc.

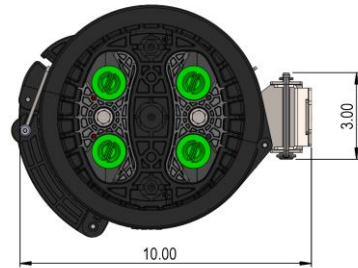
OPTICONN™ 250 Dome Fiber Closure Specification

(Engineering Control)

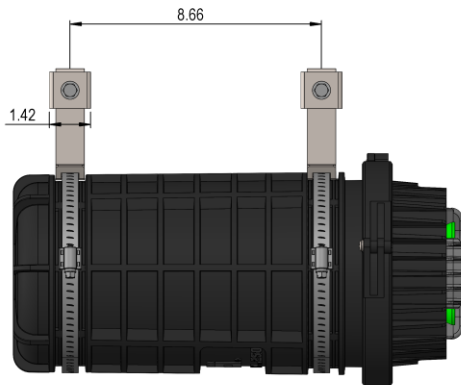
OPTICONN™ 250 ASSEMBLY - REFERENCE DIMENSIONS (INCH):



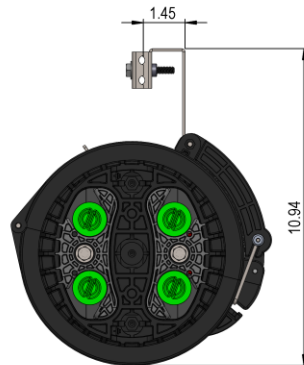
OPTICONN 250



OPTICONN 250
POLE MOUNT



OPTICONN 250
AERIAL MOUNT





Ordering Information Part Number Matrix



① **Build Configuration**

OG = Original Standard Baseplate

② **Gel Block Configuration**

01= Standard 2-port Gel Block in both locations

02= 1x Standard 2 port Gel Block, 1x Drop Gel Block

③ **Flex Basket**

F0 = None

F1 = Flex Basket installed

④ **Tray Configuration**

With or Without Flex Basket Options

T1S0 = 1 Tall T2S0 = 2 Tall

T0S1 = 1 Short T0S2 = 2 Short

T0S4 = 4 Short

Without Flex Basket ONLY Option

T4S0 = 4 Tall

T0S6 = 6 Short

T2S1 = 2 Tall & 1 Short

T1S2 = 1 Tall & 2 Short

⑤ **Valve Kit (Flash Valve)**

V0 = None

V1 = Flash Valve Installed

⑥ **Grounding Kit**

G0 = None

G1 = 1 Grounding Kit Installed (1 stud, and 1 Ground wire)

G2 = 2 Grounding Kits Installed (2 studs, and 2 Ground wires)