

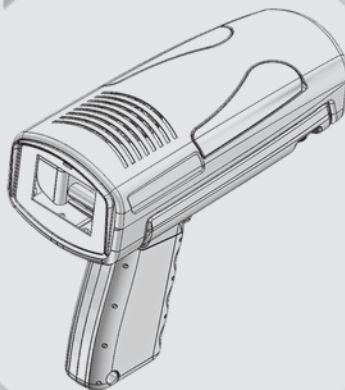
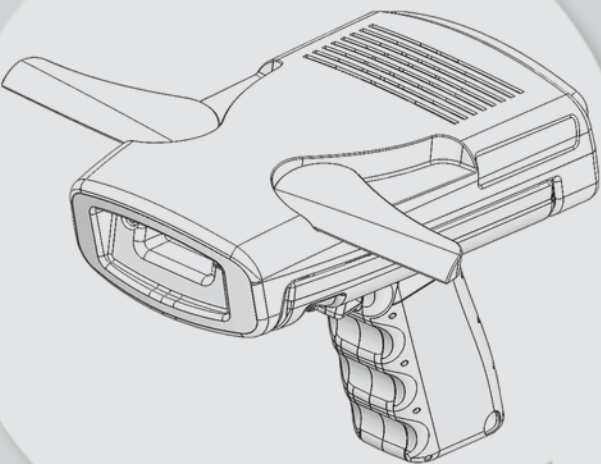
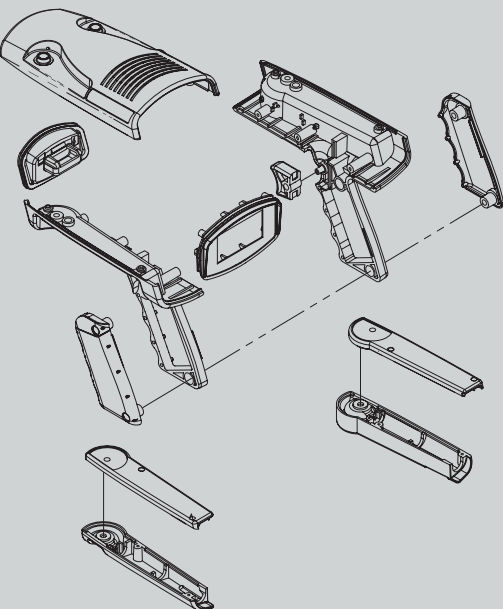
QAM Sniffer III



COMSONICS
PRODUCT SOLUTIONS

ComSonics, an employee owned company, is the global leader in proactive plant maintenance, providing solutions to ensure HFC plant integrity and performance improvement.

The QAM Sniffer III is the ultimate maintenance device that enables technicians to quickly locate network egress/ingress points. Its triple frequency detection with frequency agility ensures complete spectrum coverage, including the LTE band.



- Dual built-in directional antennas for ease-of-use
- GPS reference clock for precision measurements
- DOCSIS 3.1 ready to future proof your investment
- Bluetooth connectivity for mobile applications such as MPL



Features

- Dual Dipole Antennas provide directionality
- Built-in antennas eliminates need to swap or change Three frequencies with agility in band 3
- Bluetooth connectivity
- M3 compatible
- Front mount BNC adapter for external near-field or directional antennas

D3.1 OFDM Leakage Detection per

Band Tuning Adjustments

- Distance adjustments: 1, 10, 30, 75, 150 ft
1, 3, 10, 25, 50 m
- Squelch setting: 0, 5, 10, 50, 100, 1999 $\mu\text{V}/\text{m}$
- Squelch on/off: [0, audio on] [1999, audio off]
- Audio volume: 1(20%), 2(40%), 3(60%), 4(80%), 5(100%)
- Frequency selection: Band 1-3

Seven (7) Button Display Control

(1)Bluetooth, (2) Mode: Marker or M3, (3) Band 1-3
(4)Squelch, (5) Distance,(6)Scale, (7) Power

Eliminates False Leak Detection

Variable Signal Presence Warble Alert

Optional Vehicle Docking Cradle

- Power/ battery
- charge External antenna

Configuration Software

- OFDM Pilot Tone Setup
- Marker selection (1-3)
- Level units of measure: $\mu\text{V}/\text{m}$, $\text{dB}\mu\text{V}/\text{m}$
- Distance units of measure: feet or meters
- Peak hold time

ComSonics also offers:



QAM Marker



QAM Shadow



Genacis QS III



QAM Compass



M3 – Mini
Mobile Marker

Specifications

Operating Frequency USA B1: 136.5 – 138.5 MHz
USA B2: 610 – 612.5 MHz
USA B3: 770 – 860 MHz,
900 MHz – 1.2 GHz

Int'l B1: 132.5 – 140 MHz

Option Int'l B1: 259.0 – 271.0 MHz

Int'l B2: 606.5 – 614.5 MHz

Int'l B3: 824 – 915 MHz,

970 MHz – 1.2 GHz

Receiver Sensitivity ≤ -102 dBmV

Selectivity 5 Hz

Measurement Accuracy $< \pm 2$ dB

Bar Graph Sensitivity
x1 (2,000 $\mu\text{V}/\text{m}$)
x10 (200 $\mu\text{V}/\text{m}$)
x20 (100 $\mu\text{V}/\text{m}$) max

Peak Hold Time 0 to 60 seconds

Battery Pack Rechargeable Li-Ion; 2,600 mAh

Weight 1.8 lbs
0°F to +140°F

Operating Temperature -18°C to +60°C
+32°F to +104°F

External Power Supply 0°C to +40°C
-20°F to +150°F

Storage Temperature -29°C to +66°C