

DBJ INNOVATIONS

BROADBAND PEDESTAL

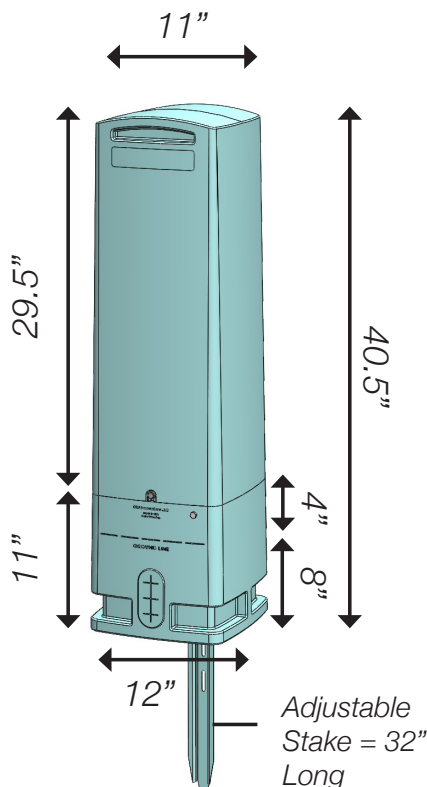


The DBJ Innovations, LLC Broadband Pedestal is customized to fit the needs of your business with high-performance features and durable hardware.

KEY FEATURES

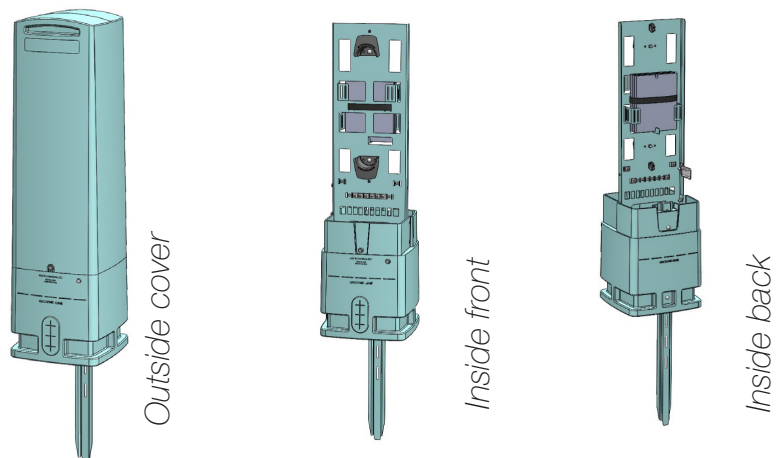
- Fully customizable for splicing fiber.
- Enclosures can be made for coax or fiber distribution.
- Stackable trays for higher count fiber splice ability.
- Durable HDPE construction with UV stabilizers.
- Built with multiple user friendly features.
- One piece base with adjustable stake.
- 16 gauge steel powder coated internal frame options with stainless hardware.
- Designed, engineered and manufactured in the USA.

DIMENSIONS



DESCRIPTION

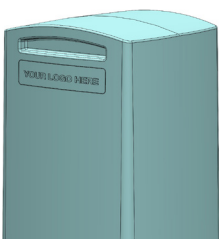
The Broadband Pedestal is fully customizable for fusion splicing with stackable trays to connectorized fiber applications to coax taps and amps. Made of durable HDPE construction with UV stabilizers, the Broadband Pedestal is built to last and can operate in temperatures that range from -50°F to 150°F. A grounding bracket with an external lug allows easy access UG Utility Locating. This also has an easy access TPE grommet below grade for easy drop entry.



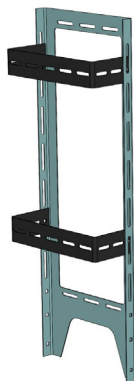
CUSTOMIZABLE FEATURES

OPTION	DESCRIPTION	DIAGRAM
Molded Logo	Have your logo molded directly into the part for easy identification. Logo area = 1.5" X 6.75"	A
Internal Steel Frame	Stamped 16 gauge steel powder coated internal frame options with stainless hardware.	B
Splicing Tray	Choose the number of stackable trays to keep fiber safe and organized.	C
Grounding Bracket	Grounding bracket with an external lug allows easy access UG Utility Locating.	D

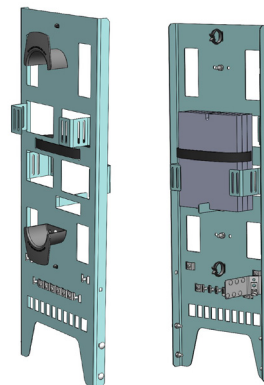
FEATURE OPTION DIAGRAMS



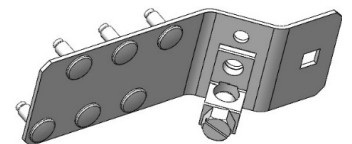
A. Molded Logo



B. Internal Steel Frame



C. Splicing Tray Example



D. Grounding Bracket